

## Contents

1. Basic operation .....	2
2. Radio operation .....	3
3. USB/ MP3 operation .....	3
4. Bluetooth operation .....	3
5. Clock display and adjustment .....	4
6. Installation and Wiring .....	4
7. Specifications .....	6
8. Troubleshooting .....	7

### Main Features:

AM/FM	AUX input
USB input	Clock
Bluetooth Function	USA and European Radio Frequency
	40W x 4 Amplifier

### About Installation

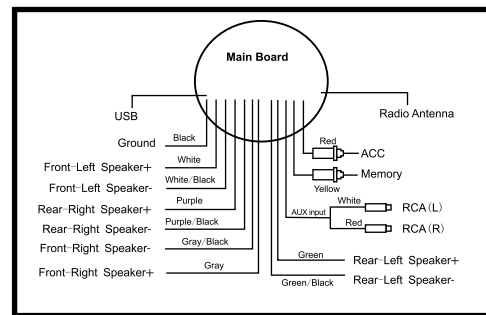
Installation of Marine audio components requires experience with a variety of mechanical and electrical procedures. Even though this Manual provides general installation and operation instructions for your new Marine audio Player, it does not show the exact methods which may be required for your particular installation.

### Care and Maintenance

Clean the player with a slightly damp, soft cloth, using household glass cleaner. Do not use solvents such as benzene, thinner, or commercially available cleaners. From time to time, inspect the connections on the rear of the unit, make sure the connections are correct, and machine has no corrosion. For corrosion, correct as needed.

1

## Wiring Diagram



## 7. SPECIFICATIONS

### AM/FM SECTION

1. USA Frequency Range: FM87.9–107.9MHz AM530–1710kHz  
Europe Frequency Range: FM87.5–108.0MHz AM522–1620kHz

2. Intermediate Frequency ..... 10.7MHz
3. Noise limit sensitivity ..... < 5µV
4. Intermediate Frequency Rejection ..... < 50dB

### MP3 SECTION

1. S/N Ratio ..... > 55dB
2. Frequency response ..... 20–20KHz
3. A/D conversion filter ..... 16BIT

### Audio and other SECTION

- Power Output ..... 4\*40W  
Power ..... DC 12V ( Battery)  
Load Impedance ..... 4–8Ωms/channel

6

## EQ

Use the VOLUME buttons to select EQ from FLAT, CLASSIC, POP, ROCK. Default setting is OFF.

**Area tuning** (This option allows you to select the appropriate frequency spacing for your area.) Use the VOLUME buttons to switch Area tuning between USA and European Radio frequency.

### Time format

Use the VOLUME buttons to switch Time format between 24hour and 12hour.

## 2. RADIO(FM/AM) OPERATION

Press **BAND** button to switch between FM and AM.

**Auto Seek tuning Up/Down:** Press **▲ ▼** buttons less than 2 seconds to automatically seek next/previous strong station.

**Manual Tuning Up/Down:** Press and hold any one of the **▲ ▼** buttons for more than 2 seconds to seek stations up/ down step by step.

## 3. USB/MP3 OPERATION

1. Insert a USB stick, the unit will read the music files in the USB stick automatically.
2. Press **▲** or **▼** button to play next/previous song.
3. Press and hold **▲** or **▼** button more than 2 seconds to fast forward/backward the song.
4. Press **▶|** button to pause/resume the current song.

## 4. BLUETOOTH OPERATION

This unit supports Bluetooth for wireless music streaming from your iPhone / Android or similar Bluetooth device.

Connecting steps are as follows:

- Press Mode button to switch to the "BT PLAY".
- Turn on the Bluetooth on your Bluetooth device.
- Scan for the unit (Bluetooth name: Car Kit) by using your Bluetooth device.
- Select the unit (Bluetooth name: Car Kit), the connection then will be

3

made automatically.

### Attention:

Some Bluetooth devices require inputting a pass code for connecting. Please input "0000", then the connection will be made automatically.

### Bluetooth audio function:

Press **▼** or **▲** button for previous/next song.  
Press VOL+ or VOL- button for turning up/down the volume.  
Once the unit has a connection with your Bluetooth device for the first time, then the unit can connect with your Bluetooth device automatically within valid range ever since.

## 5. Clock display and adjustment

Press and hold **BAND** button for 2 seconds to display clock. When the clock is displayed, press and hold **BAND** button for 2 seconds until the hour number is flashing, then use the VOLUME buttons to adjust hour number. Once hour number was set, press **BAND** button to turn out a flashing minute number, use the VOLUME buttons to adjust minute number. Once all is set, the unit will remember the right clock automatically.

## 6. INSTALLATION AND WIRING

### WARNING!

Before install this unit onto any panel, ALWAYS ensure that there is sufficient clearance behind the panel, and that no wire harnesses, fuel lines, moving linkages, or any other critical components are exposed and damaged by the installation. NEVER risk damaging the hull when cutting your opening.

### INSTALLATION

This unit is for use in places with a negative ground 12 V power supply.

1. **Before starting:** Read these instructions carefully. Be sure to disconnect the battery "-" terminal before starting. This is to prevent short circuits during installation. The use of unauthorized parts can cause permanent damage to the unit. In order to avoid any

4

## 8.TROUBLESHOOTING

Problem	Cause	Solution
No power	1.Incorrect wiring 2.Fuse is blown	1.Re-check wiring 2.Replace fuse
No sound	1.Volume is too low 2.Speaker connection loose or wired incorrectly 3.Ouput blown	1.Increase volume 2.Double check connection and re-attach 3.Send unit in for repair
No reception	1.The antenna cable is not connected 2.The signals are too weak	1.Insert the antenna cable securely 2.Select a station manually
USB stick not reading	1.Music file is neither MP3 nor WMA format	1.Convert music file format into MP3 or WMA format
AUX input distortion	1.Volume may be up too much on external device	1.Lower volume on external device until distortion goes away
Media device does not work through USB jack	1.USB input only reads USB sticks	1.Play media device through auxiliary input

7

## WATERPROOF MARINE STEREO SERIES

Waterproof stereo receiver with FM/AM,USB input, AUX in and Bluetooth function



### OWNER'S MANUAL

Before connecting and operating this unit, please read the manual carefully and keep it for future reference.

**NOTE:** Specifications and design are subject to change without notice for further improvement.

waterproof marine stereo series

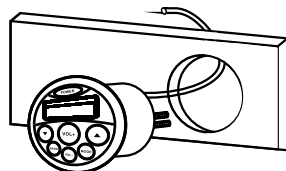
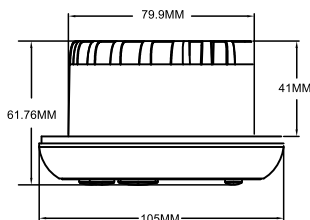
interference, do not install the unit in the proximity of the engine compartment. Always check your wire connections to ensure proper installation before turning on the unit. Consult with your nearest dealer for proper installation or if common parts need to be used.

#### b. Installing

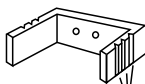
The unit should be mounted to a dry, clean and flat surface to assure that the seal condition is fully watertight.

Please make sure that the installation location has enough room for installation. Enough mounting depth is needed to avoid cables to be damaged.

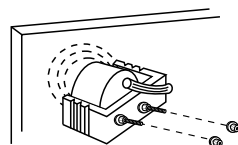
The unit requires a 79.9mm diameter round hole. Cut the hole and install the unit into the hole as shown. Ensure the rear gasket is fully sealed to the mounting surface without distorting the unit. Use mounting bracket to fasten the back part of the unit with the location so as to avert the unit loose. If the mounting bracket proved to be too long, cut some breakaway segments accordingly.



Mounting Bracket



Break LINES



5

waterproof marine stereo series

### 1.BASIC OPERATION

#### 1.POWER Button

- Press the button to turn power on.
- Press the button to mute the audio output.
- Press and hold the button to turn power off.

#### 2.VOL+ Button

Press VOL+ button to increase the volume.

#### 3.VOL- Button

Press VOL- button to decrease the volume.

#### 4.▼ Button

Press ▼ button to track down

#### 5.▲ Button

Press ▲ button to track up

#### 6.BAND/⏮ Button

- Press **BAND** button to switch between FM and AM in radio mode
- Press **⏮** button to play/pause in USB mode

#### 7.MODE Button

Press MODE button to switch between FM/BT MUSIC/USB/AUX IN

#### 8.Bass/Treble/Balance/Fader/Loud/EQ/Area tuning/Time 12-24 Mode

Press and hold MODE button for 2 seconds, and then press MODE button to switch between BAS/TRE/BAL/FAD/LOUD/EQ/AREA USA-EUR/ 12-24hour Time Mode.

##### Bass Level

Use the VOLUME buttons to adjust the Bass level range from “-7” to “+7”. Default setting is “0”.

##### Treble Level

Use the VOLUME buttons to adjust the Treble level range from “-7” to “+7”. Default setting is “0”.

##### Balance

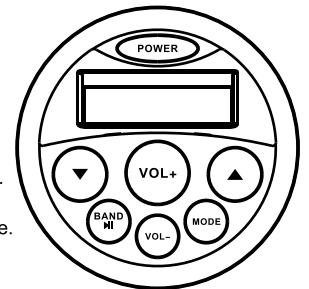
Use the VOLUME buttons to adjust the Balance between the left and right speakers from “L7” (full left) to R7 (full right).

##### Fader

Use the VOLUME buttons to adjust the Fader between the rear and front speakers from “R7” (full rear) to F7 (full front).

##### Loud

Use the VOLUME buttons to select Loudness between ON and OFF. Default setting is OFF.



2